

INSTALLATION INSTRUCTIONS

37016 SIDE BAR

00-07 CHEV. TAHOE 4 DR. / 00-06 CHEV. YUKON 4 DR. 1/2 TON.

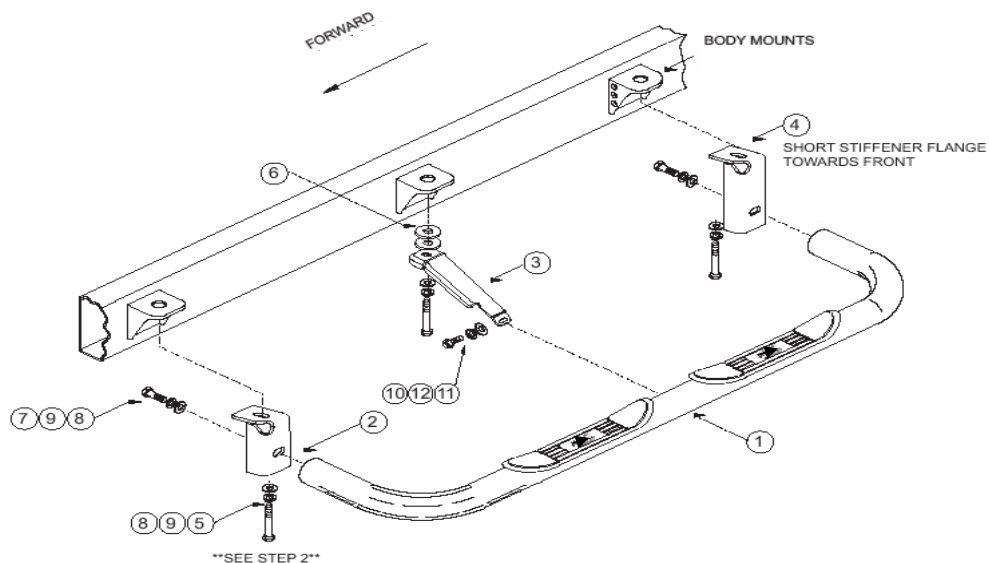
Parts List:	(1) Hardware kit including:
QTY	5.-(6) M12 x 120mm Hex head bolt
1.-(1) Sidebar set (Driver & Passenger)	7.-(4) 1/2 x 2" Hex head bolt
2.-(2) Front mounting brackets	8.-(10) 1/2" Flat washer
3.-(2) Central mounting brackets	9.-(10) 1/2" Lock washer
4.-(2) Rear mounting brackets	10.-(2) 3/8 x 1 1/4" Hex head bolt
6.-(4) Spacer Washers	11.-(2) 3/8" Flat washer
	12.-(2) 3/8" Lock washer

Tools required:			
3/4" Socket	19 mm Socket	Extension	Ratchet
18 mm Socket	9/16" Socket	21 mm Socket	3/4 Wrench

Instructions: Aproximated installation time: 30 min.

1. Read and understand instructions completely before beginning installation.
2. Remove driver side body mount bolts located under cab of vehicle. Attach front bracket as shown. Leave loose. NOTE: Keep existing washer and rubber bushing in place. NOTE: For 06-Up vehicles, use existing factory body mount bolts. Bolts and washers in kit are not required.
3. Attach center bracket with two spacer washers between bracket and existing rubber bushing and washer. Attach rear bracket as shown.
4. Attach step bar to brackets using 1/2" and 3/8" fasteners as shown.
5. Repeat for passenger side.
6. Align the side bars and all brackets and make any final adjustment and tighten all bolts (on both sides of vehicle).
7. Check and re-tighten all bolts periodically.

Assembly Diagram:



Cleaning and care instructions:

Diseño:

Calidad:

Protect the finish with a non-abrasive automotive wax, (e.g. Pure Carnauba) on a regular basis. The use of any soap, polish, or wax that contains an abrasive is detrimental to the finish, as the compounds scratch the finish and cause corrosion.

Revised 02/Nov/2005

G:\Usuarios\Diseno\Instructivos PDF\37s\37176 - 37201-I.Pdf