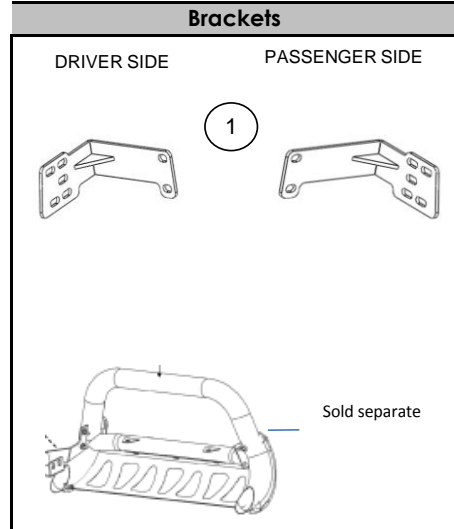


Parts List				
Item	Qty.	Code	Description	Max. Torque
1 BRK-521235 Brackets kit				
1	1	5212350AA	Set of Principal Brackets	
1 KTE-521235 Hardware kit				
2	4		3/8" X 1" Carriage Bolt	30 Lb. Ft
3	12		3/8" Flat washer	
4	8		3/8" Lock washer	
5	8		3/8" Hex nut	30 Lb. Ft
6	4		3/8" X 1 1/2" Hex Head Bolt	30 Lb. Ft

Required Tools (Not included)	
Qty.	Description
1	Ratchet
1	Ratchet extension
1	9/16"socket/wrench 1 Cutter
1	10 mm socket / wrench
1	Small flat tip screwdriver



Instructions

1. Before beginning the installation, please read all directions carefully and verify tha all necessary hardware is accounted for. If any parts are missing, stop the installation and contact your distributor immediately.
2. To maintain and care this product keep it clean and do not use abrasive cleaners or polish waxes. We recommend to use only non - abrasive automotive wax such as pure carnauba to avoid acratches and rust.
3. The approximate installation time is **30 min.**
4. The center bumper filler must be removed so brackets can be mounted to frame surface. From the backside of bumper, use a screwdriver to push out the center of plastic rivet as shown in **Picture 1**. Once the center is pushe out, push out the main body of the rivet. Remove all four rivets and the bumper filler. **Picture 2**.

PICTURE 1



PICTURE 2



INSTALLATION INSTRUCTIONS

5. Locate holes on front of frame face. Place the mounting bracket up to the two holes closest to the outside of vehicle, as shown in **Picture 3**. Install (2) 3/8" X 1 1/2" hex head bolts, (4) 3/8" flat washers, (2) 3/8" lock washers and (2) 3/8" lock nuts. Leave loose. Repeat for the opposite side. **Note:** Mounting bracket has 5 mounting holes, 2500 / 3500 series pick ups, use the outer most hole locations on the mounting bracket. If your vehicle is 1500 series pick up, use the inner most hole locations on the mounting bracket.
6. Cut the bumper filler with the indications shown in Illustration 1. Install filler panel.

PICTURE 3



PICTURE 4



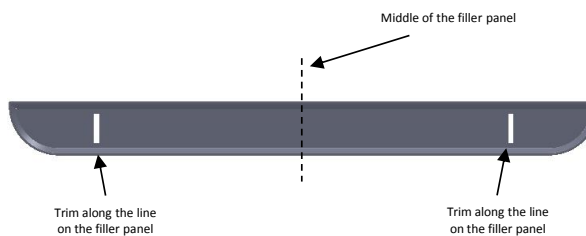
7. Place the Dakar, Bunker, Rhino charger up to the mounting brackets and bolt them together using (2) 3/8" X 1" carriage bolts, (2) 3/8" flat washers, (2) 3/8" lock washers and (2) 3/8" lock nuts.
8. Make any final adjustments to the alignment of the Dakar, Bunker, Rhino Charger and tighten all bolts.
9. You may need to periodically re/tighten the bolts.

PICTURE 5



DAKAR, BUNKER RHINO CHARGER INSTALLED

ILLUSTRATION



10. Fill the warranty card and place it inside your vehicle's glove box.